

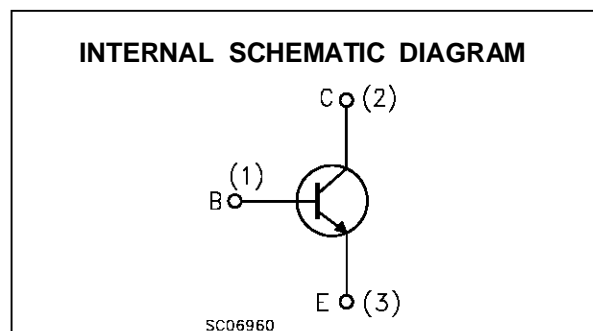
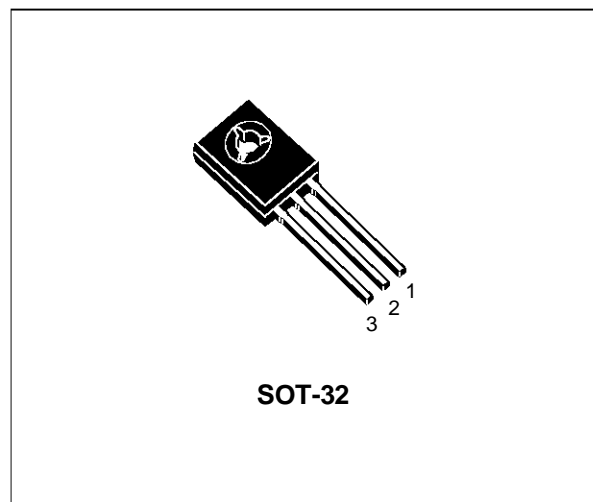
NPN SILICON TRANSISTOR

■ SGS-THOMSON PREFERRED SALESTYPES

DESCRIPTION

The BD135, BD137 and BD139 are silicon epitaxial planar NPN transistors in Jedec SOT-32 plastic package, designed for audio amplifiers and drivers utilizing complementary or quasi complementary circuits.

The complementary PNP types are the BD136, BD138 and BD140.



ABSOLUTE MAXIMUM RATINGS

Symbol	Parameter	Value			Unit
		BD135	BD137	BD139	
V_{CBO}	Collector-Base Voltage ($I_E = 0$)	45	60	80	V
V_{CEO}	Collector-Emitter Voltage ($I_B = 0$)	45	60	80	V
V_{EBO}	Emitter-Base Voltage ($I_C = 0$)	5			V
I_C	Collector Current	1.5			A
I_{CM}	Collector Peak Current	3			A
I_B	Base Current	0.5			A
P_{tot}	Total Dissipation at $T_c \leq 25^\circ\text{C}$	12.5			W
P_{tot}	Total Dissipation at $T_{amb} \leq 25^\circ\text{C}$	1.25			W
T_{stg}	Storage Temperature	-65 to 150			$^\circ\text{C}$
T_j	Max. Operating Junction Temperature	150			$^\circ\text{C}$

BD135/BD137/BD139

THERMAL DATA

$R_{thj-case}$	Thermal Resistance Junction-case	Max	10	$^{\circ}C/W$
----------------	----------------------------------	-----	----	---------------

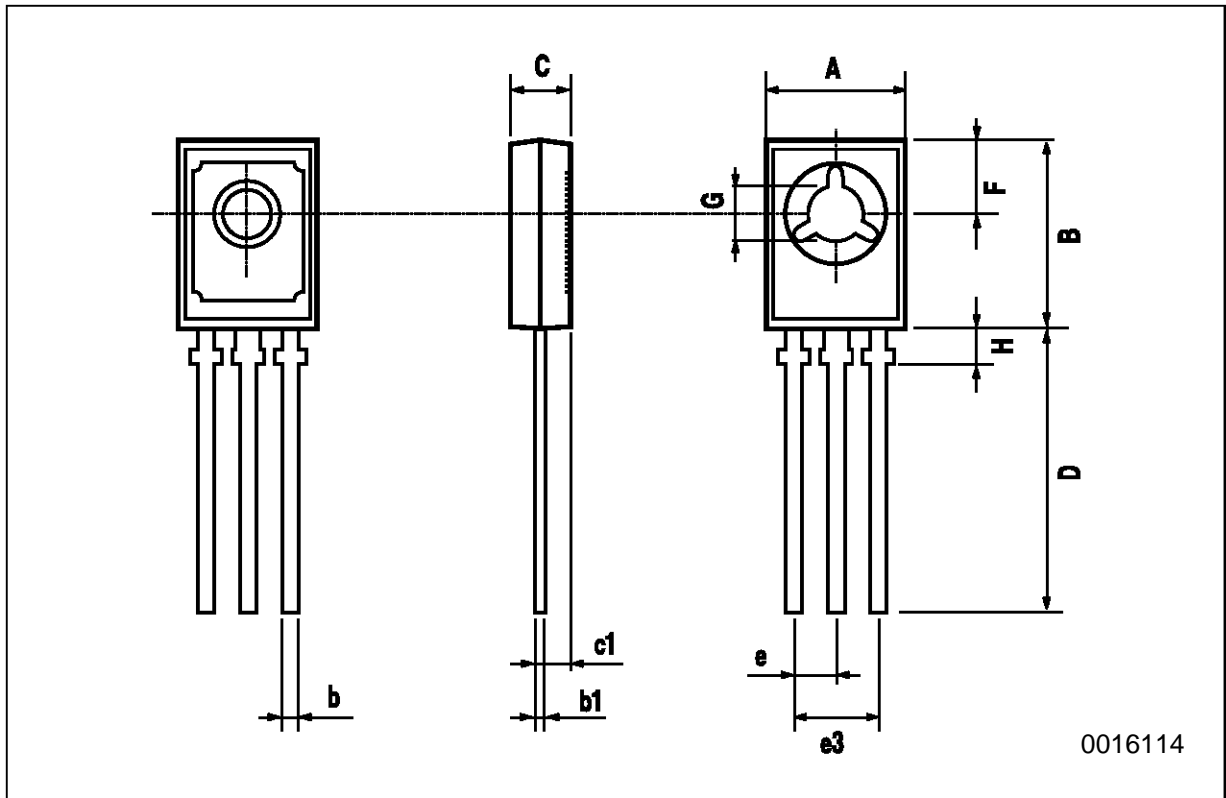
ELECTRICAL CHARACTERISTICS ($T_{case} = 25^{\circ}C$ unless otherwise specified)

Symbol	Parameter	Test Conditions	Min.	Typ.	Max.	Unit
I_{CBO}	Collector Cut-off Current ($I_E = 0$)	$V_{CB} = 30 V$ $V_{CB} = 30 V \quad T_C = 125^{\circ}C$			0.1 10	μA μA
I_{EBO}	Emitter Cut-off Current ($I_C = 0$)	$V_{EB} = 5 V$			10	μA
$V_{CEO(sus)}^*$	Collector-Emitter Sustaining Voltage	$I_C = 30 mA$ for BD135 for BD137 for BD139	45 60 80			V V V
$V_{CE(sat)}^*$	Collector-Emitter Saturation Voltage	$I_C = 0.5 A \quad I_B = 0.05 A$			0.5	V
V_{BE}^*	Base-Emitter Voltage	$I_C = 0.5 A \quad V_{CE} = 2 V$			1	V
h_{FE}^*	DC Current Gain	$I_C = 5 mA \quad V_{CE} = 2 V$ $I_C = 0.5 A \quad V_{CE} = 2 V$ $I_C = 150 mA \quad V_{CE} = 2 V$	25 25 40		250	
h_{FE}	h_{FE} Groups	$I_C = 150 mA \quad V_{CE} = 2 V$ for BD139 group 10	63		160	

* Pulsed: Pulse duration = 300 μs , duty cycle 1.5 %

SOT-32 MECHANICAL DATA

DIM.	mm			inch		
	MIN.	TYP.	MAX.	MIN.	TYP.	MAX.
A	7.4		7.8	0.291		0.307
B	10.5		10.8	0.413		0.445
b	0.7		0.9	0.028		0.035
b1	0.49		0.75	0.019		0.030
C	2.4		2.7	0.04		0.106
c1		1.2			0.047	
D		15.7			0.618	
e		2.2			0.087	
e3		4.4			0.173	
F		3.8			0.150	
G	3		3.2	0.118		0.126
H			2.54			0.100



Information furnished is believed to be accurate and reliable. However, SGS-THOMSON Microelectronics assumes no responsibility for the consequences of use of such information nor for any infringement of patents or other rights of third parties which may result from its use. No license is granted by implication or otherwise under any patent or patent rights of SGS-THOMSON Microelectronics. Specifications mentioned in this publication are subject to change without notice. This publication supersedes and replaces all information previously supplied. SGS-THOMSON Microelectronics products are not authorized for use as critical components in life support devices or systems without express written approval of SGS-THOMSON Microelectronics.

© 1995 SGS-THOMSON Microelectronics - All Rights Reserved

SGS-THOMSON Microelectronics GROUP OF COMPANIES

Australia - Brazil - France - Germany - Hong Kong - Italy - Japan - Korea - Malaysia - Malta - Morocco - The Netherlands -
Singapore - Spain - Sweden - Switzerland - Taiwan - Thailand - United Kingdom - U.S.A